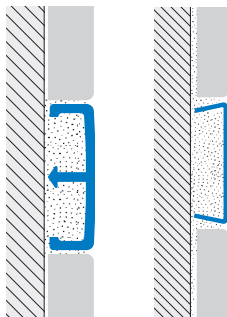
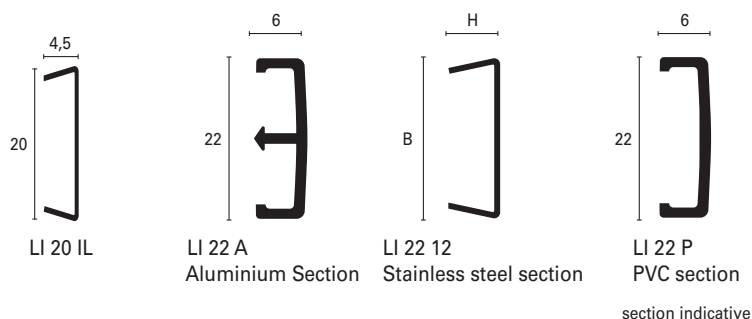




listec™ LI 20-LI 22

LISTEC LI listello enables the layer to recall the colour combination desired on the tile covering. LISTEC has a shape and a 6 mm thickness which can be readily installed together with the tile grout. It is generally applied horizontally and can adapt to most tile thicknesses in coordination with the ROUNDJOLLY® or KERAJOLLY vertical profile colours.



LISTEC LI 20-22 I* Stainless steel Polished AISI 304 - DIN 1.4301

Listello in stainless steel where a decorative effect needs to be combined with durability.

Available in polished (IL) or brushed (IS) version.

	BxH	Art.		
Material:	4,5x20	LI	20	IL/IS
Stainless steel AISI 304	7x22	LI	22	IL/IS
Finish: Polished (IL), Brushed(IS)				
Length: 2,70 metres				

LISTEC LI 22 A* Anodised Aluminium

Listello in silver anodised aluminium (AS) in a modern matt finish. It allows the creation of cost-effective decoration while matching with the tile finish.

The surface has been bright polished Chrome (ASB) or Gold (AOB) in order to give that sparkling effect in combination with bathroom ware.

Material:	6x22	LI	22	AS/ASB/AOB
Extruded anodised aluminium				
Finish: Silver (AS), Polished chrome (ASB), Bright polished gold (AOB)				
Length: 2,70 metres				

LISTEC LI 22 P51 Full body coloured Synthetic Resin

The product is entirely of a solid colour compound and not colour coated. The profile can be utilized in the most diverse environments. This product maintains a good performance over time against UV rays and small scratches are not so visible, tolerates mechanical impacts and diluted chemicals.

Material: Resintop	6x22	LI	22	P51
Colour: Black				
Length: 2,70 metres				